



US007443101B2

(12) **United States Patent**
Bruwer

(10) **Patent No.:** **US 7,443,101 B2**

(45) **Date of Patent:** ***Oct. 28, 2008**

(54) **INTELLIGENT ELECTRICAL SWITCHING DEVICE INCLUDING A TOUCH SENSOR SWITCH**

(75) Inventor: **Frederick J. Bruwer**, Paarl (ZA)

(73) Assignee: **Azoteq Pty Ltd.**, Paarl (ZA)

(*) Notice: Subject to any disclaimer, the term of this patent is extended or adjusted under 35 U.S.C. 154(b) by 0 days.

This patent is subject to a terminal disclaimer.

(21) Appl. No.: **11/961,723**

(22) Filed: **Dec. 20, 2007**

(65) **Prior Publication Data**

US 2008/0094002 A1 Apr. 24, 2008

Related U.S. Application Data

(60) Division of application No. 11/060,329, filed on Feb. 17, 2005, now Pat. No. 7,336,037, which is a continuation of application No. 10/690,423, filed on Oct. 21, 2003, now Pat. No. 6,952,084, which is a continuation of application No. 10/365,042, filed on Feb. 12, 2003, now Pat. No. 6,650,066, which is a continuation of application No. 09/793,303, filed on Feb. 26, 2001, now Pat. No. 6,621,225, which is a continuation of application No. 09/169,395, filed on Oct. 9, 1998, now Pat. No. 6,249,089.

(51) **Int. Cl.**
H01J 1/60 (2006.01)
F21S 10/00 (2006.01)

(52) **U.S. Cl.** **315/129; 315/200 A; 116/202; 116/205**

(58) **Field of Classification Search** 315/129, 315/136, 200 A, 200 R, 291, 307, 360, 362; 307/87, 119, 126, 139; 116/202, 205; 362/202, 362/205; 345/173, 175
See application file for complete search history.

(56) **References Cited**

U.S. PATENT DOCUMENTS

2,338,078 A 12/1943 Wood 240/10.66

(Continued)

FOREIGN PATENT DOCUMENTS

DE 3225557 1/1984

(Continued)

OTHER PUBLICATIONS

Schneiker, Henry; "Can You Patent an LED Flashlight?", 2 pages, Jan. 2003.

(Continued)

Primary Examiner—Thuy Vinh Tran

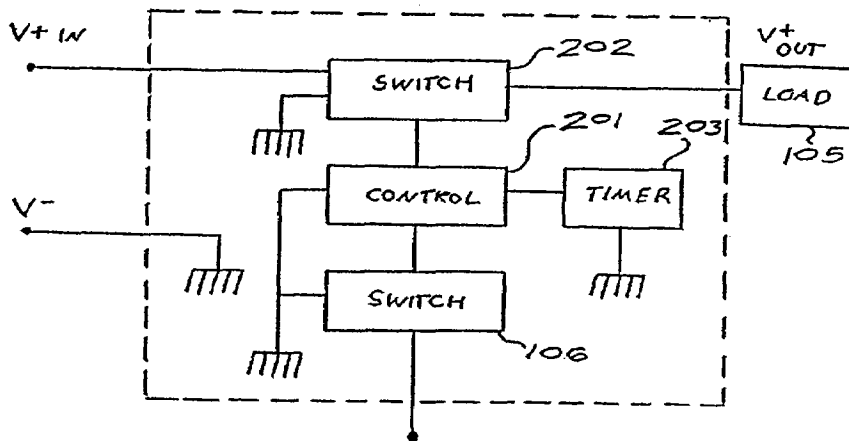
Assistant Examiner—Tung X Le

(74) *Attorney, Agent, or Firm*—Baker Botts L.L.P.

(57) **ABSTRACT**

The present invention, according to a preferred embodiment, is directed to portable electronic devices which operate on exhaustible power sources, for example, batteries. The electronic devices of the present invention comprise at least one signal switch and a microchip in communication with the switch wherein the switch is only capable of transmitting a signal to the microchip that the switch has been activated or deactivated. The microchip is in communication with the exhaustible power source of the electronic device and controls (i) the power on/off function of the device, (ii) at least one other function of the device in response to activation and deactivation signals from the switch, and (iii) an automatic shut off function in response to the receipt of an activation signal from the switch.

35 Claims, 6 Drawing Sheets



U.S. PATENT DOCUMENTS

2,630,517 A	3/1953	Hiszar	219/266	5,226,711 A	7/1993	Matsuno et al.	362/488
2,748,290 A	5/1956	Reichertz	250/83.6	5,254,907 A	10/1993	Matsuno et al.	315/77
2,784,290 A	3/1957	Ashton	219/220	5,304,896 A	4/1994	Asada et al.	315/84
2,810,797 A	10/1957	Gulnick	200/33 R	5,309,145 A	5/1994	Branch et al.	340/540
3,259,713 A	7/1966	Herridge, Jr. et al.	200/83 T	5,317,362 A	5/1994	Takahashi	354/418
3,535,282 A	10/1970	Mallory	200/60	5,321,309 A	6/1994	Kolomyski	307/10.8
3,646,302 A	2/1972	Lehmann	200/299	5,349,540 A	9/1994	Birkle et al.	703/13
3,721,933 A	3/1973	Peroy	337/66	5,357,169 A	10/1994	Toyozumi et al.	315/77
3,890,555 A	6/1975	Nelson et al.	320/2	5,357,408 A	10/1994	Lecznar et al.	362/490
3,944,804 A	3/1976	Wisdom	362/280	5,406,171 A	4/1995	Moody	315/77
4,001,803 A	1/1977	Lombardo	340/248 B	5,418,433 A	5/1995	Nilssen	315/175
4,071,805 A	1/1978	Brock	315/84	5,430,354 A	7/1995	Garbowicz et al.	315/88
4,074,252 A	2/1978	Keller	340/321	5,448,331 A	9/1995	Hamada et al.	354/403
4,122,371 A	10/1978	Talmage et al.	315/84	5,450,299 A	9/1995	Lepre	62/146
4,123,668 A	10/1978	Pecota	315/84	5,453,644 A	9/1995	Yap et al.	307/116
4,228,484 A	10/1980	Johnston	362/184	5,461,321 A	10/1995	Sanders et al.	324/678
4,237,421 A	12/1980	Waldron	328/5	5,469,346 A	11/1995	Haut et al.	362/205
4,237,526 A	12/1980	Wood	362/158	5,491,383 A	2/1996	Leiber et al.	315/77
4,282,681 A	8/1981	McCaslin	446/484	5,504,415 A	4/1996	Podrazhansky et al.	320/18
4,293,894 A	10/1981	Blank	362/100	5,526,241 A	6/1996	Ferrell	362/490
4,306,277 A	12/1981	Bodde	362/203	5,583,382 A	12/1996	Wagner	307/10.1
4,357,648 A	11/1982	Nelson	362/183	5,604,407 A	2/1997	Andres et al.	315/77
4,360,737 A	11/1982	Leopold	307/116	5,604,999 A	2/1997	Barker	36/137
4,380,718 A	4/1983	Miller	315/93	5,611,720 A	3/1997	Vandermaas	446/47
4,385,258 A	5/1983	Voll	315/84	5,645,341 A	7/1997	Liao	362/183
4,403,172 A	9/1983	Sasaki et al.	315/77	5,647,657 A	7/1997	Damasky et al.	362/555
4,408,182 A	10/1983	Hashimoto	340/321	5,661,393 A	8/1997	Sengupta	320/5
4,409,645 A	10/1983	Sloan	362/700	5,680,098 A	10/1997	Bejster et al.	340/458
4,414,611 A	11/1983	Seltzer et al.	362/183	5,691,619 A	11/1997	Vingsbo	361/86
4,442,478 A	4/1984	Stansbury	362/489	5,730,165 A	3/1998	Philipp	137/1
4,467,263 A	8/1984	Conforti et al.	320/2	5,736,696 A	4/1998	Del Rosso	200/512
4,473,871 A	9/1984	Fuchshuber	362/276	5,781,869 A	7/1998	Parlett, Jr. et al.	701/1
4,483,605 A	11/1984	Krumrein et al.	396/159	5,790,961 A	8/1998	Ingram et al.	455/574
4,495,444 A	1/1985	Thomas	315/82	5,806,961 A	9/1998	Dalton et al.	362/183
4,497,881 A	2/1985	Bertolino	429/91	5,808,294 A	9/1998	Neumann	250/214 AL
4,499,528 A	2/1985	Hawlitzki	362/275	5,821,700 A	10/1998	Malvaso	315/291
4,611,264 A	9/1986	Bradley	362/95	5,831,389 A	11/1998	Kawashima et al.	315/77
4,623,957 A	11/1986	Moore et al.	362/200	5,856,727 A	1/1999	Schroeder et al.	315/55
4,638,174 A	1/1987	Bier	307/10.1	5,892,334 A	4/1999	Utzman	315/241 S
4,686,609 A	8/1987	Dykstra et al.	362/490	5,942,770 A	8/1999	Ishinaga et al.	257/89
4,716,902 A	1/1988	Swartz	128/360	5,969,437 A	10/1999	Foerster	315/86
4,734,625 A	3/1988	Geanous et al.	315/313	D417,019 S	11/1999	Rachwal et al.	D26/37
4,739,224 A	4/1988	Geerlings	315/84	5,994,844 A	11/1999	Crawford et al.	315/151
4,743,837 A	5/1988	Herzog	324/60 CD	6,000,807 A	12/1999	Moreland	362/95
4,764,708 A	8/1988	Roudeski	315/51	6,017,140 A	1/2000	Chou	362/475
4,806,846 A	2/1989	Kerber	324/60 CD	6,027,234 A	2/2000	Austin	362/490
4,807,096 A	2/1989	Skogler et al.	362/142	6,030,105 A	2/2000	Thau et al.	362/488
4,866,345 A	9/1989	Kataoka	315/84	6,040,660 A	3/2000	Schmidt et al.	315/200 A
4,870,326 A	9/1989	Andresen et al.	315/200	6,051,931 A	4/2000	Takel	315/79
4,875,147 A	10/1989	Auer	362/205	6,056,423 A	5/2000	Takano et al.	362/488
4,876,632 A	10/1989	Osterhout et al.	362/183	6,079,847 A *	6/2000	Nelson	362/205
4,908,649 A	3/1990	Matsui et al.	354/403	6,095,661 A	8/2000	Lebens et al.	362/184
4,959,679 A	9/1990	Yamamoto et al.	354/419	6,100,652 A	8/2000	Konopka	315/291
4,963,793 A	10/1990	DePauli	315/74	6,129,446 A	10/2000	Hornung	362/394
5,005,004 A	4/1991	Udofot	340/600	6,135,605 A	10/2000	Hsu et al.	362/102
5,027,037 A	6/1991	Wei	315/200 A	6,136,605 A	10/2000	Fahl et al.	435/440
5,047,688 A	9/1991	Alten	315/84	6,140,776 A *	10/2000	Rachwal	315/200 R
5,055,268 A	10/1991	Martin	422/84	6,152,590 A	11/2000	Furst et al.	362/545
5,057,383 A	10/1991	Sokira	429/92	6,158,872 A	12/2000	Rodgers	362/276
5,061,879 A	10/1991	Munoz et al.	315/65	6,164,806 A	12/2000	Schmickl et al.	362/547
5,066,898 A	11/1991	Miller et al.	315/362	6,179,453 B1	1/2001	McMahon	362/490
5,097,284 A	3/1992	Taniguchi et al.	354/415	6,239,555 B1 *	5/2001	Rachwal	315/200 R
5,114,376 A	5/1992	Copley et al.	446/369	6,249,089 B1	6/2001	Bruwer	315/200 A
5,130,901 A	7/1992	Priesemuth	362/464	6,259,862 B1	7/2001	Marino et al.	396/106
5,138,538 A	8/1992	Sperling	362/205	6,288,707 B1	9/2001	Philipp	345/168
5,174,643 A	12/1992	Priesemuth	362/464	6,307,539 B2 *	10/2001	Suzuki	345/167
5,187,655 A	2/1993	Post et al.	700/17	6,377,009 B1	4/2002	Philipp	318/468
5,206,097 A	4/1993	Burns et al.	429/90	6,402,339 B1	6/2002	Mukogawa et al.	362/184
5,206,562 A	4/1993	Matsuno et al.	315/77	6,566,819 B2	5/2003	Wolff	315/149
5,212,478 A *	5/1993	Moseley	340/825.72	6,608,451 B2	8/2003	Collins	315/276
5,216,328 A	6/1993	Lu	315/88	6,608,617 B2	8/2003	Hoffknecht et al.	345/173
				6,621,225 B2	9/2003	Bruwer	315/86
				6,642,467 B2	11/2003	Farringdon	200/511

6,650,066	B2	11/2003	Bruwer	315/200	EP	1 025 387	A2	8/2000
6,700,508	B1	3/2004	Nomura et al.	341/27	FR	2376587		7/1978
6,748,869	B1	6/2004	Boyer et al.	102/428	FR	2634339		1/1990
6,828,739	B2 *	12/2004	Bruwer et al.	315/291	GB	2243902	A	11/1991
6,850,229	B2 *	2/2005	Casebolt et al.	345/173	GB	2276713	A	10/1994
6,984,900	B1	1/2006	Bruwer	307/87	JP	06202231		7/1994
7,084,526	B2 *	8/2006	Bruwer	307/87	JP	8062681		3/1996
7,084,531	B2	8/2006	Bruwer	307/140	JP	10338028		12/1998
7,119,459	B2 *	10/2006	Bruwer et al.	307/140	JP	11123985		5/1999
7,215,084	B1 *	5/2007	Sharrah et al.	315/87	JP	11255017		9/1999
7,265,494	B2 *	9/2007	Bruwer	315/129	JP	11324155		11/1999
7,291,940	B2	11/2007	Bruwer	307/140	WO	92/22099		12/1992
2006/0250028	A1	11/2006	Bruwer	307/140	WO	97/00790	A1	1/1997
2007/0278962	A1	12/2007	Bruwer	315/129	WO	99/12781	A1	3/1999
2008/0048574	A1 *	2/2008	Bruwer	315/200 A	WO	99/20936	A2	4/1999
					WO	99/20936	A3	4/1999
					WO	9920085		4/1999

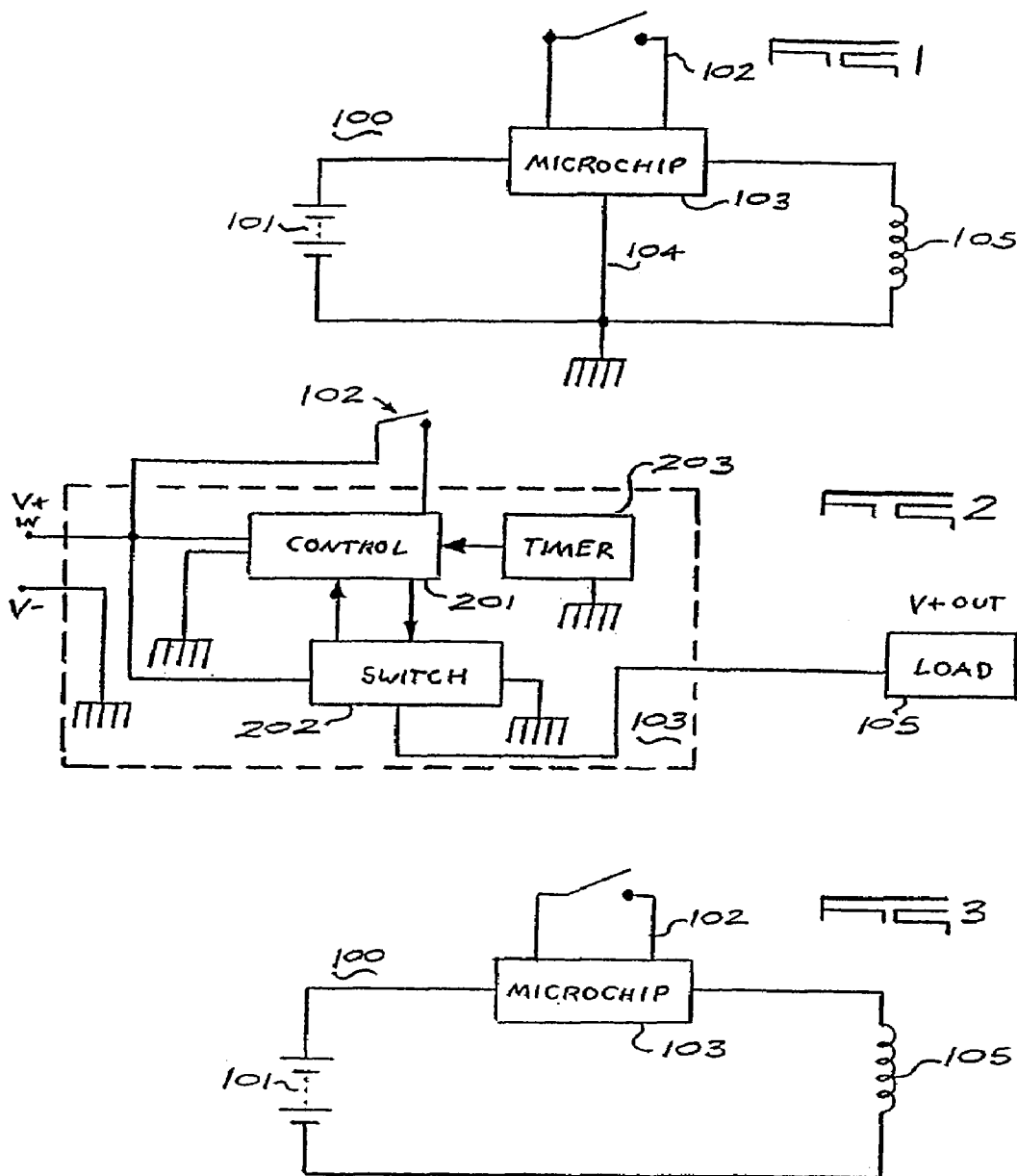
FOREIGN PATENT DOCUMENTS

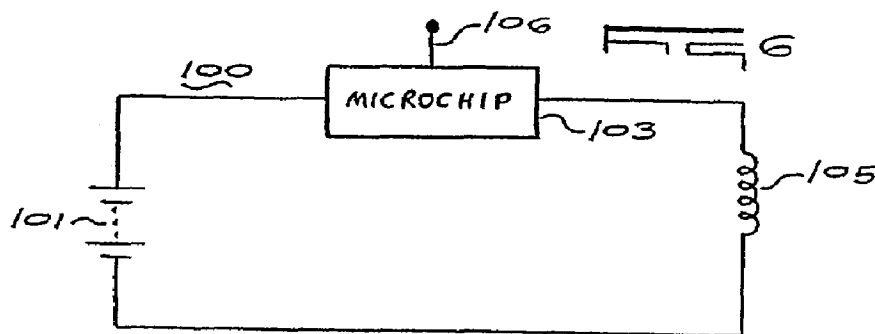
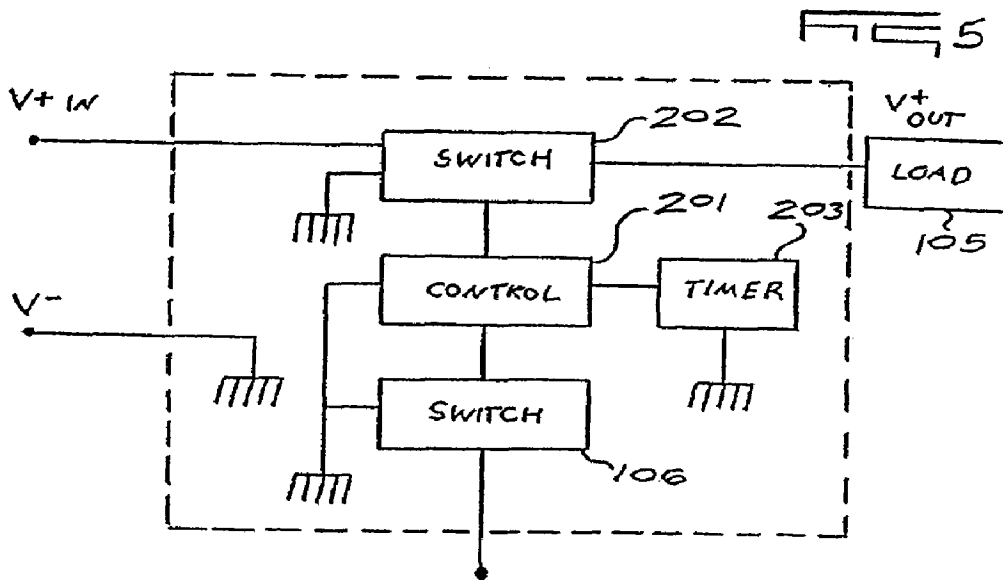
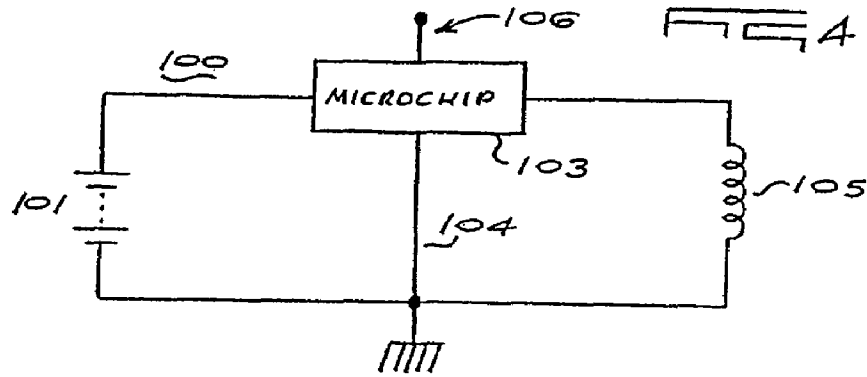
DE	3444178	6/1985
DE	4014737	11/1990
DE	9012641	11/1990
DE	4 127 765	2/1993
DE	29600938	4/1996
EP	0323193	12/1988
EP	0 440 897	8/1991
EP	0 467 158	1/1992
EP	0 515 921	12/1992
EP	0 642 952	3/1995
EP	0 676 311	10/1995
EP	0 683 069	11/1995
EP	0 719 673	7/1996
EP	0 719 674	7/1996
EP	0 728 617	8/1996
EP	0 770 519	5/1997
EP	0 846 594	A2 6/1998
EP	0 846 594	A3 6/1998

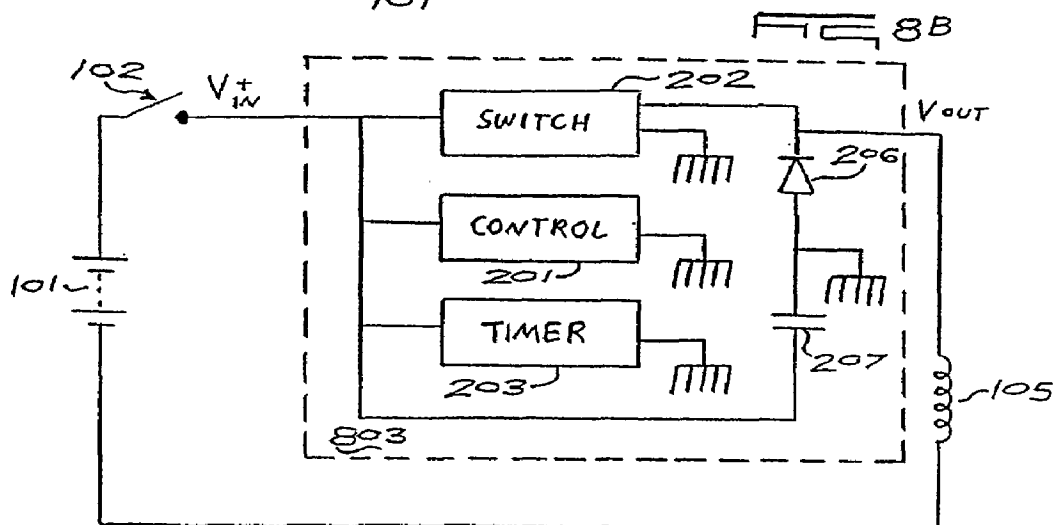
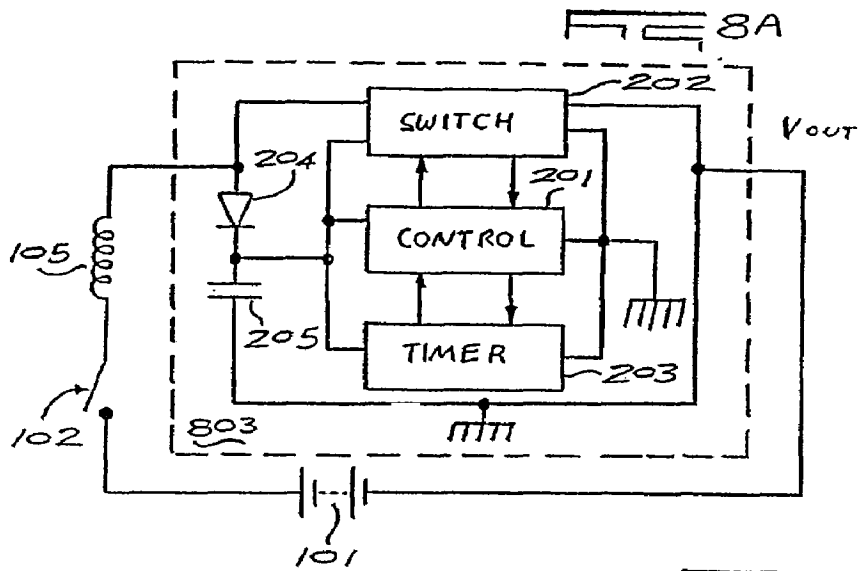
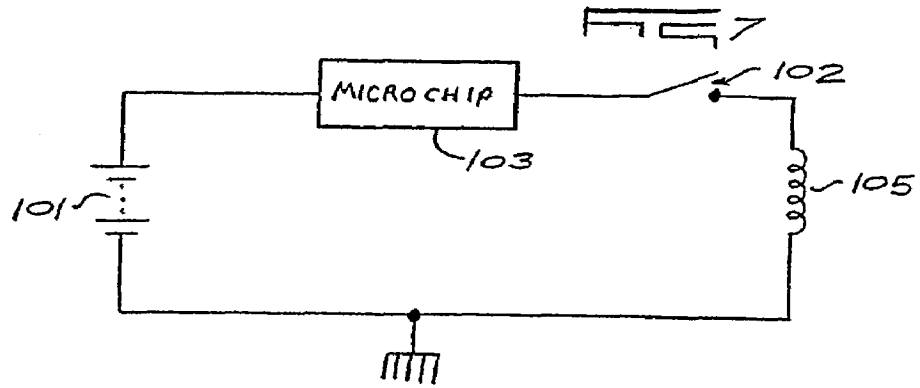
OTHER PUBLICATIONS

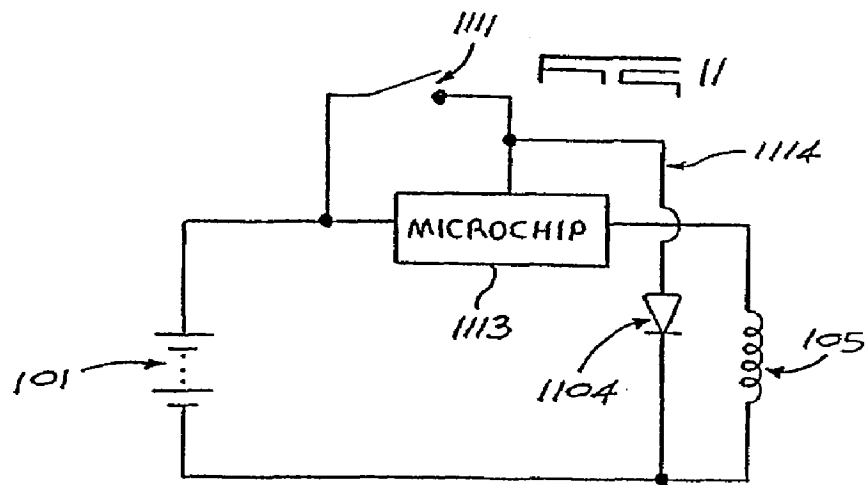
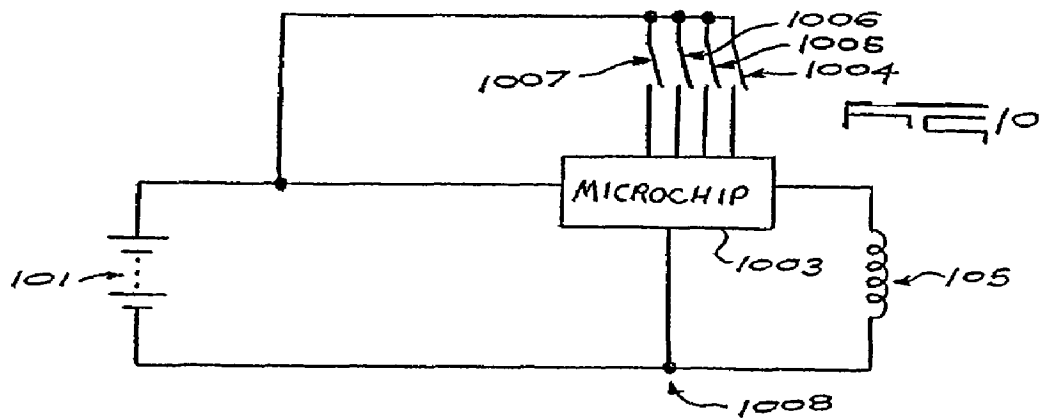
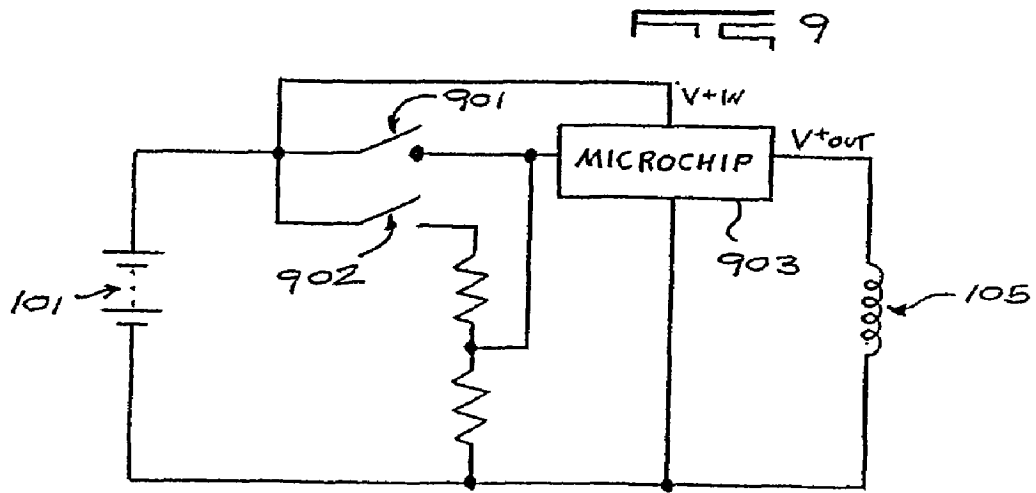
Technology Associates, Inc., eternalLight™ product related materials., www.techass.com, pp. 1-3, © 1998, 1999, 2000.
 Kochan Consulting Group, Inc., PAL Survival Light product related materials., www.pocketgifts.com/pal.asp, p. 1, © 2002.
 Neon-Net Telecom, Neon-Star product related materials., www.neon-net.com.tw/mu.htm, pp. 1-5 and Neon-Star Operation Manu, www.neon-net.com.tw/data4.htm, one page, Printed Sep. 15, 2004.
 KYTV Springfield, MO, consumer information by Elizabeth Manresa dated Jul. 6, 2000, Light Lives up to Promise, at www.kv3.com/contactdetailed.asp?id=143, p. 1, Printed Jul. 23, 2004.
 Operations and Maintenance Manual for Eternalight Marketed by Technology Associates Inc., including email message from representative of Technology Associates Inc.
 Modern Dictionary of Electronics, Newnes, 7th Ed., p. 431, 1999.
 International Search Report from PCT/ZA99/00107.

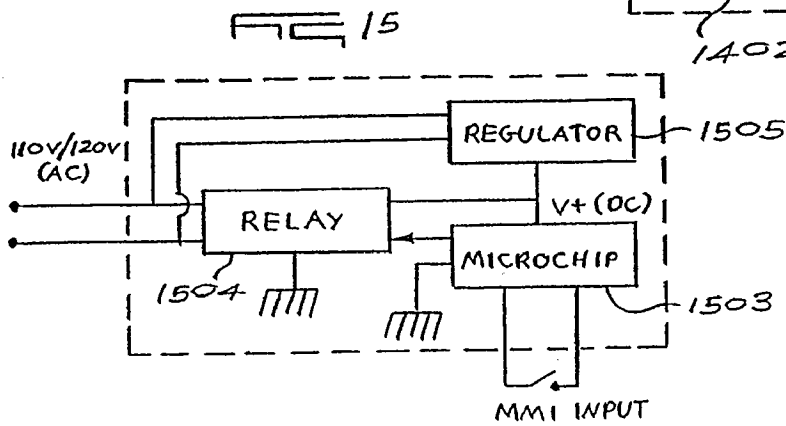
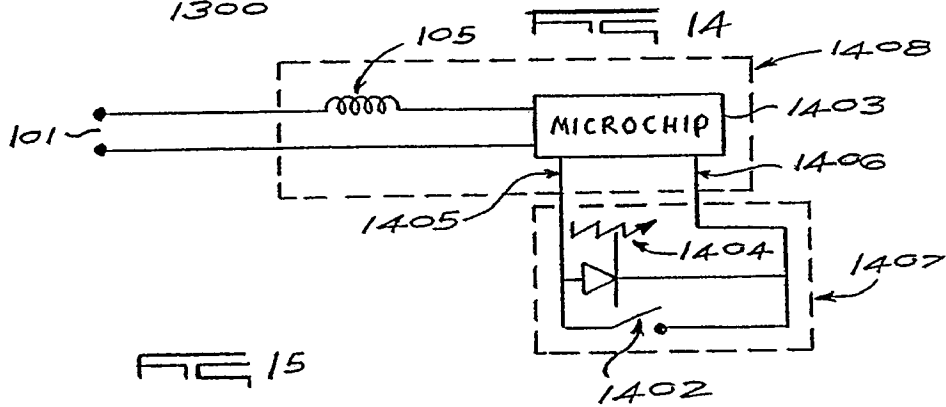
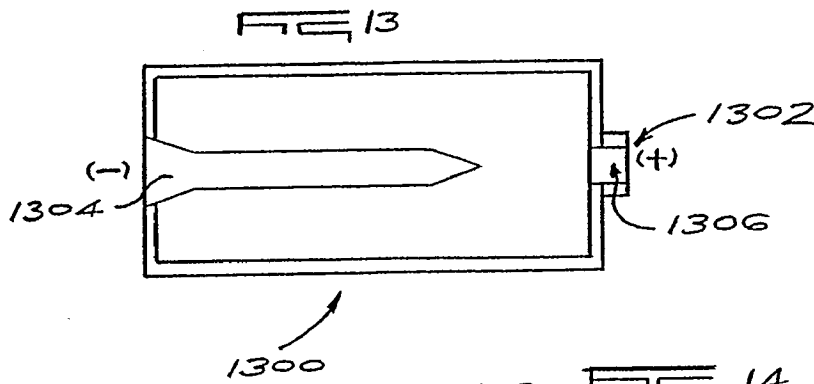
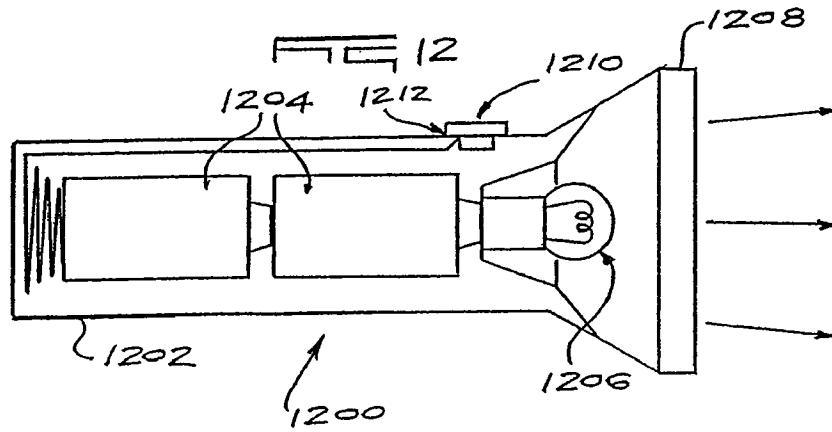
* cited by examiner

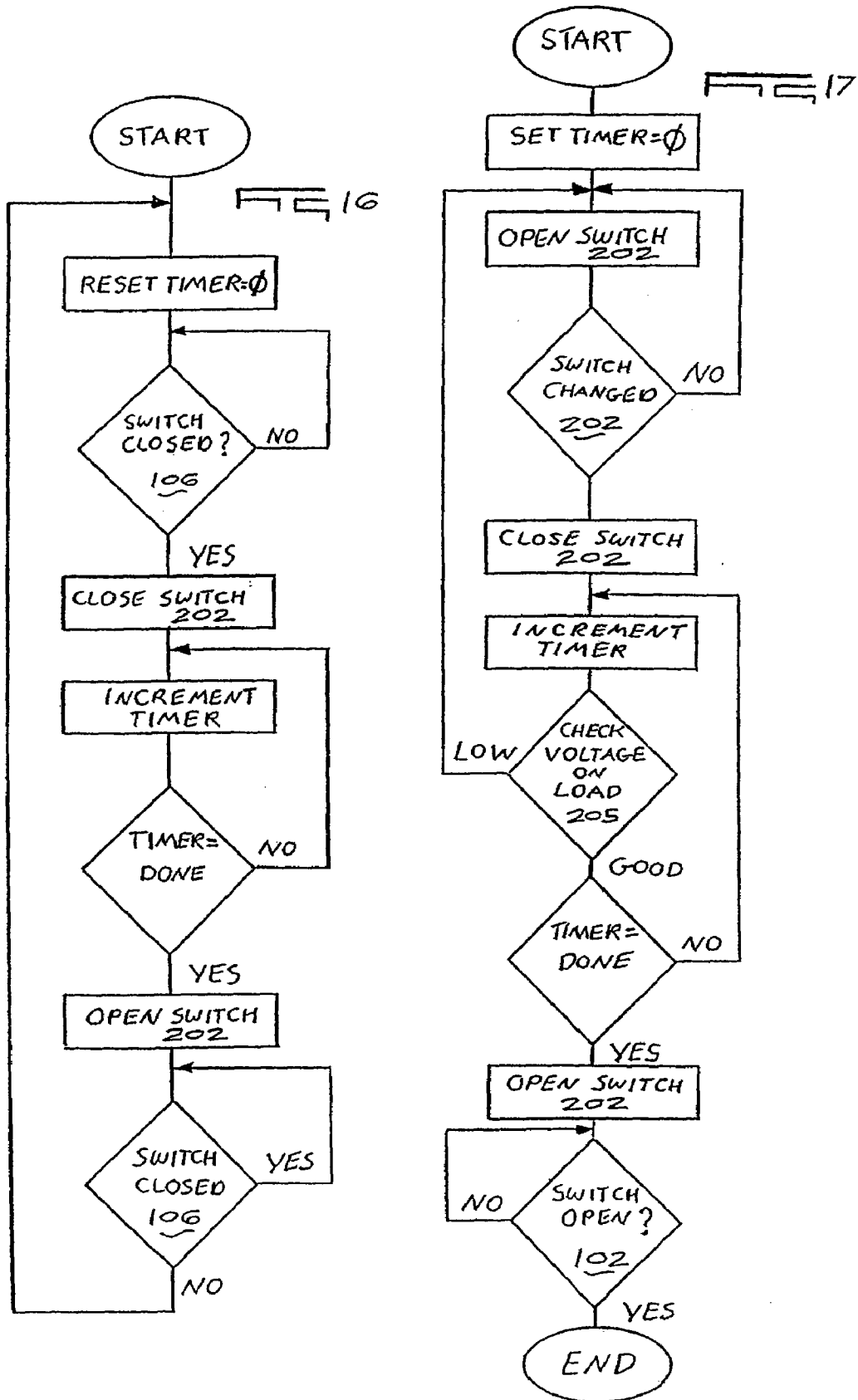












**INTELLIGENT ELECTRICAL SWITCHING
DEVICE INCLUDING A TOUCH SENSOR
SWITCH**

CROSS REFERENCE TO RELATED
APPLICATION

This application is a divisional of U.S. patent application Ser. No. 11/060,329 filed Feb. 17, 2005, now U.S. Pat. No. 7,336,037, which is a continuation of U.S. patent application Ser. No. 10/690,423 filed Oct. 21, 2003, now U.S. Pat. No. 6,952,084, which is a continuation of U.S. patent application Ser. No. 10/365,042 filed on Feb. 12, 2003, now U.S. Pat. No. 6,650,066, which is a continuation of U.S. patent application Ser. No. 09/793,303 filed on Feb. 26, 2001, now U.S. Pat. No. 6,621,225, which is a continuation of U.S. patent application Ser. No. 09/169,395 filed on Oct. 9, 1998, now U.S. Pat. No. 6,249,089.

This application is related to U.S. patent application Ser. No. 09/806,860 filed Jul. 2, 2001, now U.S. Pat. No. 6,984,900, and to U.S. patent application Ser. No. 10/430,376 filed May 7, 2003, now U.S. Pat. No. 6,828,739, and to U.S. patent application Ser. No. 10/855,361 filed May 28, 2004, now U.S. Pat. No. 7,084,526, and to U.S. patent application Ser. No. 10/873,190 filed Jun. 23, 2004, now U.S. Pat. No. 7,084,531, and to U.S. patent application Ser. No. 10/873,617 filed Jun. 23, 2004, now abandoned, and to U.S. patent application Ser. No. 10/875,618 filed Jun. 25, 2004, now U.S. Pat. No. 7,291,940, and to U.S. patent application Ser. No. 10/961,373 filed Oct. 12, 2004, now U.S. Pat. No. 7,265,494, and to U.S. patent application Ser. No. 11/480,868 filed Jul. 6, 2006, now U.S. Pat. No. 7,329,970, and to U.S. patent application Ser. No. 11/785,063 filed Apr. 13, 2007, which is pending, and to U.S. patent application Ser. No. 11/930,705 filed Oct. 31, 2007, which is pending, and to U.S. patent application Ser. No. 11/928,964 filed Oct. 30, 2007, which is pending.

FIELD OF THE INVENTION

The present invention relates to new intelligent electrical current switching devices and more particularly, to microchip controlled electrical current switching devices. The invention further relates, in one embodiment, to intelligent batteries having embedded therein a microchip for use with a variety of electrical devices to add heretofore unknown functionality to existing electrical devices. The invention also relates, according to another embodiment, to intelligent hand-held electronic devices, and in a preferred embodiment to hand-held light sources, and more particularly, to flashlights. According to one embodiment of the present invention, the invention relates to intelligent hand-held flashlights having microchip controlled switches wherein said switches can be programmed to perform a variety of functions including, for example, turning the flashlight off after a pre-determined time interval, blinking, or dimming, etc. According to a still further embodiment, the invention relates to low current switches controlled by microchips of the present invention for use in building lighting systems.

BACKGROUND OF THE INVENTION

In conventional flashlights, manually-operated mechanical switches function to turn the flashlight "on" and "off." When turned "on," battery power is applied through the closed switch to a light bulb, the amount of power then consumed depends on how long the switch is closed. In the typical flashlight, the effective life of the battery is only a few hours

at most. Should the operator, after using the flashlight to find his/her way in the dark or for any other purpose, then fail to turn it off, the batteries will, in a very short time, become exhausted. Should the flashlight be left in a turned-on and exhausted condition for a prolonged period, the batteries may then leak and exude corrosive electrolyte that is damaging to the contact which engages the battery terminal as well as the casing of the flashlight.

When the flashlight is designed for use by a young child the likelihood is greater that the flashlight will be mishandled, because a young child is prone to be careless and forgets to turn the flashlight "off" after it has served its purpose. Because of this, a flashlight may be left "on" for days, if not weeks, and as a result of internal corrosion may no longer be in working order when the exhausted batteries are replaced.

Flashlights designed for young children are sometimes in a lantern format, with a casing made of strong plastic material that is virtually unbreakable, the light bulb being mounted within a reflector at the front end of the casing and being covered by a lens from which a light beam is projected. A U-shaped handle is attached to the upper end of the casing, with mechanical on-off slide switch being mounted on the handle, so that a child grasping the handle can readily manipulate the slide actuator with his/her thumb.

With a switch of this type on top of a flashlight handle, when the slide actuator is pushed forward by the thumb, the switch "mechanically" closes the circuit and the flashlight is turned "on" and remains "on" until the slide actuator is pulled back to the "off" position and the circuit is opened. It is this type of switch in the hands of a child that is most likely to be inadvertently left "on."

To avoid this problem, many flashlights include, in addition to a slide switch, a push button switch which keeps the flashlight turned on only when finger pressure is applied to the push button. It is difficult for a young child who wishes, say to illuminate a dark corner in the basement of his home for about 30 seconds, to keep a push button depressed for this period. It is therefore more likely that the child will actuate the slide switch to its permanently-on position, for this requires only a monetary finger motion.

It is known to provide a flashlight with a delayed action switch which automatically turns off after a pre-determined interval. The Mallory U.S. Pat. No. 3,535,282 discloses a flashlight that is automatically turned off by a delayed action mechanical switch assembly that includes a compression spring housed in a bellows having a leaky valve, so that when a switch is turned on manually, this action serves to mechanically compress the bellows which after a pre-determined interval acts to turn off the switch.

A similar delayed action is obtained in a flashlight for children marketed by Playskool Company, this delayed action being realized by a resistance-capacitance timing network which applies a bias to a solid-state transistor switch after 30 seconds or so to cut off the transistor and shut off the flashlight. Also included in the prior art, is a flashlight previously sold by Fisher-Price using an electronic timing circuit to simply turn off the flashlight after about 20 minutes.

It is also known, e.g. as disclosed in U.S. Pat. No. 4,875,147, to provide a mechanical switch assembly for a flashlight which includes a suction cup as a delayed action element whereby the flashlight, when momentarily actuated by an operator, functions to connect a battery power supply to a light bulb, and which maintains this connection for a pre-determined interval determined by the memory characteristics of the suction cup, after which the connection is automatically broken.

U.S. Pat. No. 5,138,538 discloses a flashlight having the usual components of a battery, and on-off mechanical switch, a bulb, and a hand-held housing, to which there is added a timing means and a circuit-breaking means responsive to the timing means for cutting off the flow of current to the bulb, which further has a by-pass means, preferably child-proof, to direct electric current to the light bulb regardless of the state of the timing means. The patent also provides for the operation of the device may be further enhanced by making the by-pass means a mechanical switch connected so as to leave it in series with the mechanical on-off switch. Furthermore, the patent discloses a lock or other "child-proofing" mechanism may be provided to ensure that the by-pass is disabled when the flashlight is switched off.

Most conventional flashlights, like those described above, are actuated by mechanical push or slide button-type switches requiring, of course, mechanical implementation by an operator. Over time, the switch suffers "wear and tear" which impairs operation of the flashlight as a result of, for example, repeated activations by the operator and/or due to the fact that the switch has been left "on" for a prolonged period of time. In addition, such mechanical switches are vulnerable to the effects of corrosion and oxidation and can cause said switches to deteriorate and to become non-functioning. In addition, these prior art devices having these mechanical switches are generally "dumb," i.e. they do not provide the user with convenient, reliable, and affordable functionalities which today's consumers now demand and expect.

The prior art switches typically provide two basic functions in prior art flashlights. First, the mechanical switches act as actual conductors for completing power circuits and providing current during operation of the devices. Depending upon the type of bulb and wiring employed, the intensity of electrical current which must be conducted by the switch is generally quite high leading to, after prolonged use, failure. Second, these mechanical switches must function as an interface between the device and its operator, i.e. the man-machine-interface ("MMI") and necessarily requires repeated mechanical activations of the switch which over time mechanically deteriorate.

Also, currently the electrical switches used in buildings/houses for control of lighting systems are of the conventional type of switches which must conduct, i.e. close the circuit, upon command, thus also providing the MMI. These prior art switches suffer from the same disadvantages as the switches described above in relation to portable electronic devices, like flashlights. Moreover, the switches are relatively dumb in most cases and do not provide the user with a variety of functions, e.g. but not limited to timing means to enable a user, for example, a shop owner or home owner to designate a predetermined shut off or turn on point in time.

There is a need for inexpensive, reliable, and simple intelligent electronic devices which provide increased functionality and energy conservation.

SUMMARY OF THE INVENTION

According to one embodiment of the present invention, there is provided a microchip controlled switch to manage both the current conducting functions and the MMI functions in an electronic device, such as a flashlight, on a low current basis i.e. without the MMI device having to conduct or switch high current. According to one aspect of the invention, the MMI functions are controlled by very low current signals, using touch pads, or carbon coated membrane type switches. These low current signal switches of the present invention can be smaller, more reliable, less costly, easier to seal and less

vulnerable to the effects of corrosion and oxidation. Moreover, since the switch is a solid state component, it is, according to the present invention, possible to control the functions of the device in an intelligent manner by the same microchip which provides the MMI functions. Thus, by practicing the teachings of the present invention, more reliable, intelligent, and efficient electrical devices can be obtained which are cheaper and easier to manufacture than prior art devices.

According to another embodiment of the invention, there is provided a microchip which can be embedded in a battery that will lend intelligence to the battery and thus, the device it is inserted into, so that many functions, including but not limited to, delayed switching, dimming, automatic shut off, and intermittent activation may be inexpensively realized in an existing (nonintelligent) product, for example a prior art flashlight.

According to a further embodiment, the invention provides a power saving microchip which, when operatively associated with an electronic device, will adjust the average electric current through a current switch, provide an on and off sequence which, for example, but not limited to, in the case of a flashlight, can be determined by an operator and may represent either a flash code sequence or a simple on/off oscillation, provide an indication of battery strength, and/or provide a gradual oscillating current flow to lengthen the life of the operating switch and the power source.

According to one embodiment of the invention, an intelligent flashlight, having a microchip controlled switch is provided comprising a microchip for controlling the on/off function and at least one other function of the flashlight. According to a further embodiment of the invention, an intelligent flashlight having a microchip controlled switch is provided comprising an input means for sending activating/deactivating signals to the microchip, and a microchip for controlling the on/off function and at least one other function of the flashlight. According to a further embodiment of the invention, there is provided an intelligent flashlight having a microchip controlled switch comprising an input means for selecting one function of the flashlight, a microchip for controlling at least the on/off function and one other function of the flashlight, wherein the microchip control circuit may further comprise a control-reset means, a clock means, a current switch, and/or any one or combination of the same.

According to another embodiment of the invention, there is provided a battery for use with an electrical device comprising a microchip embedded in the battery. According to still a further embodiment of the invention, a battery for use with an electronic device is provided comprising a microchip embedded in the battery wherein said microchip is adapted such that an input means external to the microchip can select the on/off function and at least one other function of the electronic device.

According to one embodiment of the present invention, there is provided an intelligent battery for use with an electronic device, the battery having positive and negative terminal ends and comprising a microchip embedded in the battery, preferably in the positive terminal end, for controlling on/off functions and at least one other function of the electronic device.

According to another embodiment of the invention, there is provided a portable microchip device for use in serial connection with a power source, e.g. an exhaustible power source, and an electronic device powered by said source wherein said electronic device has an input means for activating and deactivating said power source, and said microchip comprising a means for controlling the on/off function

5

and at least one other function of the electronic device upon receipt of a signal from said input means through said power source.

According to a still further embodiment of the invention, there is provided a microchip adapted to control lighting in buildings. According to this embodiment, the normal switch on the wall that currently functions as both a power-switch, i.e. conduction of electricity, and MMI can be eliminated, thus eliminating the normal high voltage and high current dangerous wiring to the switch and from the switch to the load or light. Utilizing the present invention, these switches can be replaced with connecting means suitable for low current DC requirements.

According to another embodiment, the present invention is directed to a battery comprising an energy storage section, a processor, e.g. a microchip and first and second terminal ends. The first terminal end being connected to the energy storage section, the second terminal end being connected to the processor, and the processor being connected to the second terminal end and the energy storage section. The processor controls the connection of the second terminal end to the energy storage section.

According to another embodiment, the present invention provides an electronic apparatus which includes an electrical device, comprising a power supply, an activating/deactivating means, and a processor. The activating/deactivating means is connected to the processor and the processor is connected to the power supply. The processor controls the on/off function of the device and at least one other function of the device in response to signals received from the activation/deactivation means.

The present invention, according to a still further embodiment, provides a flashlight comprising a light source, an energy storage means, a switch means, and a processor means. The switch means being in communication with the processor means and the processor means being in communication with the energy storage means which is ultimately in communication with the light source. The processor controls the activation/deactivation of the light source and, in some embodiments, further functions of the flashlight, in response to signals received from the switch means.

While the present invention is primarily described in this application with respect to either a flashlight or a battery therefore, the embodiments discussed herein should not be considered limitative of the invention, and many other variations of the use of the intelligent devices of the present invention will be obvious to one of ordinary skill in the art.

BRIEF DESCRIPTION OF THE DRAWINGS

FIG. 1 is a schematic of a device having a microchip controlled push button or sliding type input activation/deactivation switch according to one embodiment of the present invention;

FIG. 2 is a block diagram of a microchip for use in association with a push button or sliding input activation/deactivation switch according to one embodiment of the invention;

FIG. 3 is a schematic of a second type of intelligent device having a microchip controlled push button or sliding type input activation/deactivation switch according to another embodiment of the invention;

FIG. 4 is a schematic of a device having a microchip controlled touch pad or carbon coated membrane activation/deactivation switch according to a still further embodiment of the invention;

6

FIG. 5 is a block diagram of a microchip for use in association with a touch pad or carbon coated membrane activation/deactivation switch according to one embodiment of the invention;

FIG. 6 is a schematic of a second type of device having a microchip controlled touch pad or carbon coated membrane activation/deactivation switch according to one embodiment of the invention;

FIG. 7 is a schematic of a battery having embedded therein a microchip according to a further embodiment of the invention;

FIG. 8A is a block diagram of a microchip for use in a battery according to one embodiment of the present invention;

FIG. 8B is a block diagram of a second type of microchip for use in a battery according to another embodiment of the present invention;

FIG. 9 is a schematic of a device having a microchip controlled switch according to one embodiment of the invention;

FIG. 10 is a schematic of a device having a microchip controlled switch according to one embodiment of the invention;

FIG. 11 is a schematic of a device having a microchip controlled switch according to one embodiment of the present invention;

FIG. 12 is a schematic of a flashlight having therein a microchip controlled switch according to one embodiment of the present invention;

FIG. 13 illustrates a possible position, according to one embodiment of the present invention of a microchip in a battery;

FIG. 14 is a schematic of one embodiment of the present invention of a low current switching device suitable for lighting systems in buildings;

FIG. 15 is a block diagram of one embodiment of the present invention, i.e. microchip 1403 of FIG. 14;

FIG. 16 is a flow diagram for a microchip as shown in FIGS. 4 and 5 for a delayed shut off function embodiment of one embodiment of the present invention; and

FIG. 17 is a flow diagram for a microchip as shown in FIGS. 7 and 8a for a delayed shut off function embodiment of one embodiment of the present invention.

DETAILED DESCRIPTION OF THE INVENTION

According to one embodiment or aspect of the present invention, and referring to FIG. 1, a schematic depiction of main circuit 100 of an electronic device, for example, a flashlight, is provided, wherein the device has a microchip 103 and a microchip controlled input activator/deactivator 102, for example, a push button or sliding switch. Main circuit 100 of the device is powered by a current supplied by power source 101. Power source 101 may be any power source, e.g. a DC battery, as is well known to those of ordinary skill in the art. While the following discussion is limited to specific electronic devices, that is flashlights, it is to be understood that the following description is equally applicable to other electronic devices including portable radios, toys, for example but not limited to battery operated cars, boats, planes, and/or other electrically powered toys.

Referring to FIG. 1, when an operator activates input push button or sliding command switch 102 to the "on" position, the microchip 103 receives a signal. Switch 102 is a direct electrical input to microchip 103. Microchip 103 is grounded by grounding means 104. Microchip 103 is in series between power source 101 and load 105. Microchip 103 also transfers

sufficient power through means of a current switch (not shown in FIG. 1) to load **105** which can be, for example, a resistor-type bulb in the case of a flashlight to provide illumination.

The microchip **103**, and other microchips of the present invention, can have its/their intelligence embedded in combinational or sequential logic, a PLA or ROM type structure feeding into a state machine or a true microcontroller type structure. The memory for the above will normally be non-volatile, but should there be a need for selectable options, EE or flash memory structures may be used.

The structure and operational parameters of such a microchip **103** are explained in greater detail below with respect to FIG. 2. As shown in FIG. 1, power is supplied to microchip **103** by power source **101**. When an operator activates input switch **102** to the "on" position it represents a command which is communicated to microchip **103**. Input means **102** requires very low current in preferred embodiments. In one embodiment of the invention, microchip control/reset means **201** simply allows the current switch **202** to pass current provided from power source **101** to load **105** in an unimpeded manner when the MMI switch **102** is activated, and, in the case of a flashlight, illumination is obtained. It is important to recognize, however, that it is control circuit **201** which activates current switch **202** upon acting on an input from MMI switch **102**. Unlike heretofore known prior art devices, activating switch **102** does not conduct current to load **105**, but is only a command input mechanism which can, according to the invention, operate on very low current. For example, according to the invention, touch sensor input or carbon coated membrane type switch devices are preferred.

If, for example, an emergency notification function is desired, the flashlight may be designed to alternately flash on and off every second. First, the operator activates input **102** into the appropriate position to indicate such a function is desired. During the "on" segment of the flashing routine, control/reset means **201** commands current switch **202** to close and let current flow through to load **105**, thereby causing, in the case of a flashlight, the bulb to illuminate. Simultaneously, control/reset means **201** uses the timing means **203** as a clock for timing. After control/reset means **201** determines one second has elapsed, control/reset means **201** instructs current switch **202** to open and interrupt the current flow through to load **105**, and bulb illumination is discontinued. It is important to note that both control/reset means **201** and current switch **202** are still active and fully powered; however, current delivery is now latent with respect to load **105**. When another second has elapsed, a command is passed from control/reset means **201** which again allows current to be delivered through current switch **202** to load **105**, and in the case of a flashlight, bulb illumination is immediately resumed. The device continues an alternating current delivery routine until either the operator switches the setting of the activating input switch **102** to the "off" position, or until the conditions pre-programmed into the microchip, e.g. into the control/reset means **201**, are satisfied and current delivery is permanently discontinued.

Similar operating routines can be employed to generate other conspicuous flashing functions such as the generation of the universal distress signal S.O.S. in Morse code. Again, such a function would require that the microchip, e.g. control/reset means **201**, be pre-programmed with the appropriate code for creating such a signal, and to permit current transmission from switch **202** to load **105** in accordance with the code with the assistance of timing means **203**. For example, it may be desirable to have an S.O.S. sequence wherein flashes representing each individual letter are separated by time inter-

vals ranging from one-half ($1/2$) second to one (1) full second, while the interval between each letter in the code comprises two (2) full seconds. After a certain number of repetitions of the routine, again determined by the operator or as pre-programmed within the microchip, e.g. within the control/reset means **201**, the signal is discontinued.

As shown in FIG. 3, it is possible to remove grounding means **104** from main circuit **100**. However, it is then necessary to intermittently provide an alternative power source for microchip **103** and to create a virtual ground reference level. A suitable microchip **103** for this configuration is described in greater detail below with respect to FIGS. 8A and 8B.

Referring now to FIG. 4, utilizing the circuits in the microchip of some embodiments of the present invention, carbon coated membrane or touch pad type switches are preferred. Carbon coated membrane switches and touch pad switches have many advantages over conventional high current switches, such as those currently used in flashlights. According to the present invention, carbon coated membrane type switches, low current type switches, and touch pad type switches can be used which may be smaller, less costly, easier to seal, and less vulnerable to corrosion and oxidation than conventional switches which also transfer energy or current to the load. Moreover, according to one embodiment of the present invention, carbon coated membrane type switches, touch pad switches, or low current type switches can be formed structurally integral with the product, for example, with the casing of a flashlight.

A block diagram showing microchip **103** for use, in accordance with one embodiment of the present invention, in association with a carbon coated membrane, a touch pad switch, or a low current type switch **106** is now explained in greater detail in respect to FIG. 5. According to this one embodiment of the present invention, current switch **202** is powered directly by grounded power source **101**. However, output of current from current switch **202** to load **105** is dependent on control/reset means **201**. When an operator depresses touch pad **106**, carbon coated membrane switch **106** or low current type switch **106**, control/reset means **201** allows current switch **202** to flow current through to load **105**. However, in more intelligent applications according to certain embodiments of the present invention, control/reset means **201** will coordinate, based on clock and/or timing means **203**, to execute timing routines similar to those described above such as, but not limited to, intermittent flashing, the flashing of a conspicuous pattern such as Morse code, dimming functions, battery maintenance, battery strength/level, etc.

As shown in FIG. 6, grounding means **104** can be removed from the system as a matter of design choice. A more detailed description of a suitable microchip **103** for this type of configuration is provided below with respect to FIGS. 8A and 8B.

Referring to FIG. 7, certain embodiments of the present invention also provide for a battery having a microchip embedded for use in association with an electronic device. As shown, direct current is provided to microchip **103** by power source **101**. When activating input switch **102** is closed, current is complete and power is transferred to load **105** at the direction of microchip **103**. Microchip **103** embedded in the battery can have any number of intelligent functions pre-programmed therein, such as, for example but not limited to, battery strength monitoring, recharging, adjustment of average current through a current switch, intermittent power delivery sequences, and so on. Examples of suitable microchips **103** for this type of application are discussed below with reference to FIGS. 8A and 8B.

FIGS. 8A and 8B are block diagrams of two different further embodiments of the present invention. Microchip **803**

is especially suitable for applications wherein microchip **803** is not grounded through the body of the electrical device or where a ground cannot otherwise be established because of design considerations. This embodiment is useful to provide sufficient operating power to the microchip and can be achieved by periodically opening and closing current switch **202** when activation input switch **102** is closed. For example, referring to FIG. **8A**, when input switch **102** is closed but current switch **202** does not conduct (that is, the switch is open and does not allow current to flow to load **105**), then voltage drop over load **105** is zero and in the case of a flashlight, no illumination is provided from the bulb. Instead, the full voltage drop is over current switch **202** and in parallel with the diode **204** and capacitor **205**. Once capacitor **205** becomes fully charged, current switch **202** can close and circuit **103** will be powered by capacitor **205**. When circuit **803** is adequately powered, it functions in a manner identical to the circuits described previously with respect to the functions provided by control/reset means **201** and timing means **203**.

When the charging capacitor **205** starts to become depleted, control/reset means **201** will recognize this state and reopen the current switch **203**, thus briefly prohibiting the flow of current to load **105**, in order to remove the voltage drop from load **105** and allow capacitor **205** to recharge and begin a new cycle. In a flashlight application, the time period wherein current flow from current switch **202** is discontinued can be such that the dead period of the light is not easily or not at all detectable by the human eye. In the case of a high current usage load, such as a flashlight, it means the ratio of the capacitance of the capacitor having to power the microchip and the current consumption of the microchip, must be such that the capacitor can power the microchip for a long time relative to the charging time (**202** open). This will enable the flashlight's "off" time to be short and the "on" time to be long, thus not creating a detectable or intrusive switching of the flashlight to the user.

According to another embodiment of the present invention, e.g. in relation to another product of low current consumption, such as a FM radio, the designer may opt for a capacitive (reservoir) device externally to the microchip (see FIG. **11**). In this case, the electrical device may function for a time longer than the time required for charging the capacitor (**205**, **207**) which is when the current switch (**202**) is open and not conducting current.

According to another embodiment of the present invention, an output may be provided to indicate a condition, e.g. a battery is in good or bad condition. It may also be suitable to assist in locating a device, e.g. but not limited to a flashlight, in the dark. This may be a separate output pin or may be, according to another embodiment, shared with the MMI switch input. (See FIG. **11**) This output or indicator may be a LED. Referring to FIG. **11**, indicator/output device **1104** may, for example, be an LED. When microchip **1113** pulls the line **1114** to high, the LED **1104** shines. LED **1104** may also shine when switch **1111** is closed by the user. However, since that is only a momentary closure, this should not create a problem.

According to a further specific embodiment of the invention, referring to FIG. **11**, microchip **1113** can activate the LED **1104** for a short time, e.g. every 100 milliseconds, every 10 seconds. This indication will let potential users know the device is in a good state of functionality and will enable fast location of the device in the dark, e.g. in times of emergency. The low duty cycle will also prevent unnecessary battery depletion.

With an alternative embodiment of the present invention, FIG. **8B** illustrates the charging and discharging of capacitor

207 to provide power to circuit **803**, wherein the diode and capacitor structure establishes a ground reference for circuit **803**.

Each of the embodiments explained with respect to FIGS. **8A** and **8B** are suitable for use, according to the present invention, depending upon the application. Indeed, the embodiments shown in FIGS. **8A** and **8B** can be directly embedded into a battery and/or can be separately constructed in another portable structure, e.g. but not limited to, in the shape of a disc, about the size of a quarter, to be inserted at the end of the battery between the output means or positive terminal of the battery and the current receiving structure of the electronic device. As described, the embodiments shown in FIGS. **8A** and **8B** can be utilized with the prior art high current switches currently being utilized in simple non-intelligent electronic devices, for example flashlights, radios and toys. For example, in the case of a portable simple radio without any intelligence, an automatic shut "off" may be achieved by using the intelligent battery or portable microchip of the present invention having a timing function to automatically shut off the radio after a given period of time, i.e. after the user is asleep.

The architecture of the two embodiments of the present invention shown in FIGS. **8A** and **8B** provide certain advantages over the simple dumb architecture in current simple electrical devices, for example, flashlights. Due to the unique design of the microchips, as shown in FIGS. **8A** and **8B**, after the device (into which the microchip is incorporated) is shut off the microchip remains powered for an additional period of time which allows for said microchip to thus receive additional commands, for example, a second "on" activation within a given period after a first "on" and "off" activation, may be programmed into the microchip (control/reset means) to indicate a power reduction or dimming function or any other function as desired by the designer of said device. This is accomplished by the inventive designs of the present invention without having to utilize substantial energy from what are typically small exhaustible power sources, e.g. DC batteries in the case of flashlights.

According to some embodiments of the present invention, more intelligent devices include many other useful functions pre-programmed within the microchip, e.g. in control/reset means **201** and may, e.g. be assisted by a timing means **203**. Referring to FIG. **2**, commands can be entered through switch **102** in several different ways. First, various time sequences of closed and open activations may represent different commands. For example, but not limited to, a single closure may instruct microchip **103** to activate current switch **202** continuously for a pre-determined length of time. Alternatively, two successive closures may instruct the microchip **103** to intermittently activate current switch **202** for a pre-determined length of time and sequence, for example, a S.O.S. sequence.

Secondly, referring to FIG. **9**, commands may be communicated to microchip **903** through the use of various voltages recognizable by microchip **903** to represent various commands. For example, but not limited to, according to one embodiment of the present invention, it may include multiple activating switches **901** and **902** connecting different voltages to the command input structure of microchip **903**.

Thirdly, referring to FIG. **10**, commands may be communicated to microchip **1103** through the use of multiple specific switches (**1004**, **1005**, **1006**, **1007**) which when activated either singularly or in combination is/are recognizable by microchip **1103** as representing various different commands.

As can be seen by FIG. **9**, switch **901** and **902** and in FIG. **10**, switches **1004**, **1005**, **1006**, and **1007**, power or ground may be used as a command reference voltage level. For

example, the switches in FIG. 10 may be connected to another ground instead of point 1008 depending on the internal structure of the microchip.

The control/reset means included in the inventive microchips of the present invention may and in some instances, depending upon the application, should in addition to the many possible user functions described above, include means for adjusting the average current over a switch and/or a means for providing a gradual "on"/"off" current flow, so that the operator does not appreciably perceive the increase and decrease in light provided by the device. These features allow for an ongoing variable level of lighting as desired by an operator, and may also lengthen the life span of the activation switch, the bulb, and the power source. Moreover, several functions can now be added to an existing device, like a flashlight, through the use of a battery having embedded therein a microchip according to the present invention.

In another embodiment of the invention, the microchip is adapted to control lighting in buildings. The normal switch on the wall that currently functions as both a power-switch and MMI can be replaced by a low current switching device like a membrane switch, touch pad or carbon coated switching device. Since very low currents are required by the MMI switch (device) that replaces the normal wall mounted (A/C) switch, it is possible to replace the normal high voltage/current (dangerous) wiring to the switch and from the switch to the lead (light), with connectivity means suitable to the new low current DC requirements. As such, in the case of normal A/C wiring (110V/220V), the dangerous wiring can now be restricted to the roof or ceiling and all switches (MMI's) can inherently be safe. This may make the expensive and regulated safety piping required for the wiring of electricity to wall switches redundant.

In a specific embodiment, the traditional wiring between the light and the wall switch is replaced by flexible current conducting tape that can be taped from the roof and down the wall to the required location. In another embodiment, the connections can be made by current conducting paint or similar substances. In both cases above, it can be painted over with normal paint to conceal it. This makes changing the location of a wall switch or the addition of another switch very easy.

The microchip according to the present invention can be located in the power fitting of the light. The microchip having the low current (MMI) input and a power switch to block or transfer the energy to the load (light, fan, air conditioner). It reacts to the inputs received to activate or disable, or control other functions, of whatever device it is controlling.

The microchip may be adapted to contain the high current/voltage switch or control an external switching device or relay. The microchip may also, as in the other embodiments discussed, have some intelligence to control functions like dimming, delayed shut off, timed activation/deactivation, timed cycles, flashing sequences and gradual on/off switching. The microchip may also be adopted, as in a specific flashlight embodiment discussed, to provide a location/emergency signal for lighting/flashing an LED.

The power input 101 in FIG. 14 may be DC (eg 12V) as is commonly used for some lights or A/C (110V or 240V). The device shown as 1403 may be monolithic or be a multichip unit having a relay (solid state or mechanical), a regulator (eg: 110 AC volt to 12V DC) and a microchip as discussed in this application.

In a specific embodiment, Ic pin 1406 can normally be high and a closure of input means 1402, e.g. any of the low current switching devices described above, can be detected as Ic pin 1405 also goes too high. To flash the LED 1404 the microchip will reverse the polarities so that Ic pin 1405 becomes high

with regards to Ic pin 1406. During this time, it may not be possible to monitor the closure of the input 1402 switch and the LED 1404 may not shine should the input 1402 be closed. In another embodiment, microchip 1403 is able to detect closure of input 1402 before reversing the voltage polarity as discussed and if it detects closure, it does not proceed with reversing the polarity.

In FIG. 15, microchip 1503 does not contain a current switch (eg switch 102) as shown in FIG. 2. However, if desired the regulator and relay can be integrated into a single monolithic microchip 1503. In case of a 12V (DC) local voltage this may be done in any event unless the current/power considerations is too high to make it practical.

In another embodiment, the microchips 1403 and 1503 are adapted to receive commands not only via the MMI input but also over the load power (electricity) wiring. This would allow a central controller to send out various commands to various power points, controlled by a microchip according to this invention, by using address information of specific microchips or using global (to all) commands.

While the preferred embodiments of the present invention have been described in detail, it will be appreciated by those of ordinary skill in the art that changes and modifications may be made to said embodiments without, however, departing from the spirit and scope of the present invention as claimed.

What is claimed is:

1. An electronic module for use with a product, said product comprising a power source or a connection to a power source, and an energy consuming load, said module comprising,

a circuit, said circuit including a microchip and a touch sensor switch, said switch being an activation/deactivation user interface and connected to an input of the microchip, said switch and input not forming a serial link in the circuit that transfers power from the power source to the load, wherein the microchip also controls a power switch to power the load according to at least one configuration selected from the following group:

- a) a switching off function and gradual adjustment of power to the load is selected based on the different periods of switch activation; and
- b) a function is selected based on the number of switch activations and the period between preceding switch operations.

2. An electronic module according to claim 1, wherein the configuration selected is (a) and wherein the power source is mains.

3. An electronic module according to claim 1, wherein the configuration selected is (b) and wherein the power source is mains.

4. An electronic module according to claim 1, wherein the function selected by the microchip is based on one of at least three Voltage levels supplied from the switch input to the microchip.

5. An electronic module according to claim 1, wherein a location indicator is activated at least to show a switch activation.

6. An electronic module according to claim 5, wherein the location indicator is controlled by the microchip to have a duty cycle and can be activated when the load is not active.

7. An electronic module according to claim 6, wherein the power source is mains.

8. An electronic module according to claim 5, wherein a function selected and activated by a user interface activation signal, automatically shuts off, a predetermined period of time after a signal was received from the user interface switch.

13

9. An electronic module according to claim 8, wherein the power source is mains and the user interface comprise a single switch.

10. An electronic module according to claim 9, adapted to be positioned as a serial element in the circuit that transfers power from the power source to the load, wherein the power switch is in parallel to the microchip, the module comprises an energy storage element to power the microchip at least when the power switch is conducting power to the load.

11. An electronic module according to claim 8, wherein the user interface is implemented using conductive paint or similar substance.

12. An electronic module according to claim 11, wherein the product comprises an electric motor.

13. An electronic module according to claim 11, wherein a touch sensor switch is connected to the circuit and/or the microchip with only one connection and is used to adjust the power to the load.

14. An electronic module according to claim 8, wherein the user interface is implemented using flexible tape comprising conductive material.

15. An electronic module according to claim 14, wherein the product comprises an electric motor.

16. An electronic module according to claim 8, wherein the power source is DC.

17. An electronic module according to claim 8, adapted for use with a product comprising radio frequency (RF) circuitry.

18. An electronic module according to claim 8, wherein a touch sensor switch is connected to the circuit and/or the microchip with only one connection and is used to adjust the power to the load.

19. An electronic module according to claim 18, wherein the location indicator is an LED.

20. An electronic module according to claim 19, wherein the location indicator also gives an indication of a product condition.

21. An electronic module according to claim 5, wherein the product comprises an electric motor.

22. An electronic module according to claim 21, wherein the electric motor is connected to a fan.

23. An electronic module according to claim 5, adapted for use with a product comprising radio frequency (RF) circuitry.

24. An electronic module according to claim 5, wherein a touch sensor switch is connected to the circuit and/or the microchip with only one connection and is used to adjust the power level to the load.

14

25. An electronic module according to claim 5, wherein the location indicator is an LED.

26. An electronic module according to claim 1, wherein a function selected and activated by a user interface activation signal is automatically shut off after a predetermined period of time.

27. An electronic module according to claim 26, wherein the power source is mains.

28. An electronic module according to claim 1, wherein the user interface is implemented using conductive paint or similar substance.

29. An electronic module according to claim 1, wherein the user interface is implemented using flexible tape comprising conductive material.

30. An electronic module according to claim 1, adapted for use with a product comprising radio frequency (RF) circuitry.

31. An electronic module according to claim 1, adapted to be positioned as a serial element in the circuit that transfers power from the power source to the load, wherein the power switch is in parallel to the microchip, the module comprises an energy storage element to power the microchip at least when the power switch is conducting power to the load.

32. A method of implementing an activation/deactivation user interface in a product with an power switch to power an energy consuming load by connecting it to a power source, the method includes providing a touch sensor as the user interface switch and the interface switch not forming a serial element in the circuit that transfers power between the power source and the load, said method comprising,

providing automatic termination of a function that was activated in response to a activation signal received through the user interface, a predetermined period after receiving a signal from the user interface, and

using the activation of a visible location indicator to give an indication of the user interface switch activation when the load is not active.

33. A method according to claim 32, that uses electrically conductive fluid to implement the user interface.

34. A method according to claim 32, wherein the location indicator is activated with a duty cycle and an LED is used to implement the location indicator.

35. A method according to claim 34, wherein the location indicator also indicates product condition.

* * * * *